



CDVI

31, av. du Gal Leclerc
93500 PANTIN FRANCE
Tel : 33 (0)1 48 91 01 02
Fax : 33 (0)1 48 91 21 21
www.cdvi.com

KCIN

Illuminated Stainless Steel Keypad
Remote Electronics

www.cdvgroup.com

The KCIN keypad is available in 1, 2 or 3 relay output.
Refer to page 8 and 9 for the instructions of version 2 and 3 relay.

IP 64



OPERATING AND INSTALLATION INSTRUCTIONS

MOUNTING KIT

Qty	Description	Photo	Function
2	M5x35 DIAX® Screws		KCIN mounting screws
2	LM5 Metallic Anchors		For the M5x35 screws
1	DIAX® Spanner		For the M5x35 screws
2	M4x30 Screws		For the remote Controller
2	S5 Plastic Anchor		For the M4x30 screws
1	05D 680K Varistor		For the lock
2	Wiring Sealed caps		Cable to the controller

KCIN: 110 x 85 x 15 MM

Remote controller: 147 x 124 x 55 MM

I. PRODUCT INFORMATION

A. DESCRIPTION 1 relay output version

INPUT VOLTAGE 12 - 24 VAC FREE VOLTAGE
INPUT VOLTAGE 12 - 48 VDC FREE VOLTAGE
12-digit back-lit keypad keys
EPROM memory storage
100 Pin code programmables in 4 or 5-digit code
1 relay output N/O & N/C contact 8A/250V
1 programmable master code in 4 or 5-digit
Buzzer audible signal
1 request-to-exit input
P2 jumper: Reset master code and user codes
P3 jumper: modification of individual code by the user

B. DEFAULT VALUES

Illumination time: 10 seconds
Relay release time: 1 second
Code length: 5-digit
Master Code: 12345
Programming mode time: 120 sec
Sub master code for user to reprogram its Pin code (1 relay output version): *, #

C. AUDIBLE SIGNAL

The buzzer indicates different audible signals. It can be turned off by cutting the ST1 wire on the remote controller (see page 6)

1 short beep	Keypad powered
1 long beep	data computing in programming or access granted
2 short beeps	Enter or Exit from programming
4 short beeps	data computing error

D. CODE LENGTH

The master code and the User codes can be of 4 or 5-digit in length.

All the keypad keys can be used to program a code.

The master code and the Pin code can be of 4 or 5-digit code.

The master code CAN NOT be used as a PIN code (User Pin code).

Codes 00000 and 0000 can only be used to delete a user Pin code. To delete a specific User pin Code replace it by 0000 if code length is 4-digit format or replace it by 00000 if the code is in 5-digit format.

E. REQUEST-TO-EXIT INPUT

This normally open loop that operates upon activation relay 1 (GALEO, GALEO 2 or GALEO 3) or relay 2 (GALEO 2 or 3 version). This feature is especially useful when controlling a lock.

P1 input activates relay 1.

P2 input activates relay 2.

(The output can be programmed).

The timer input H if connected allows using the 0 key as a request-to-enter. If the timer contact is open then the 0 digit key is used for the Pin code and if the contact is closed then the 0 key is used for the request-to-enter.

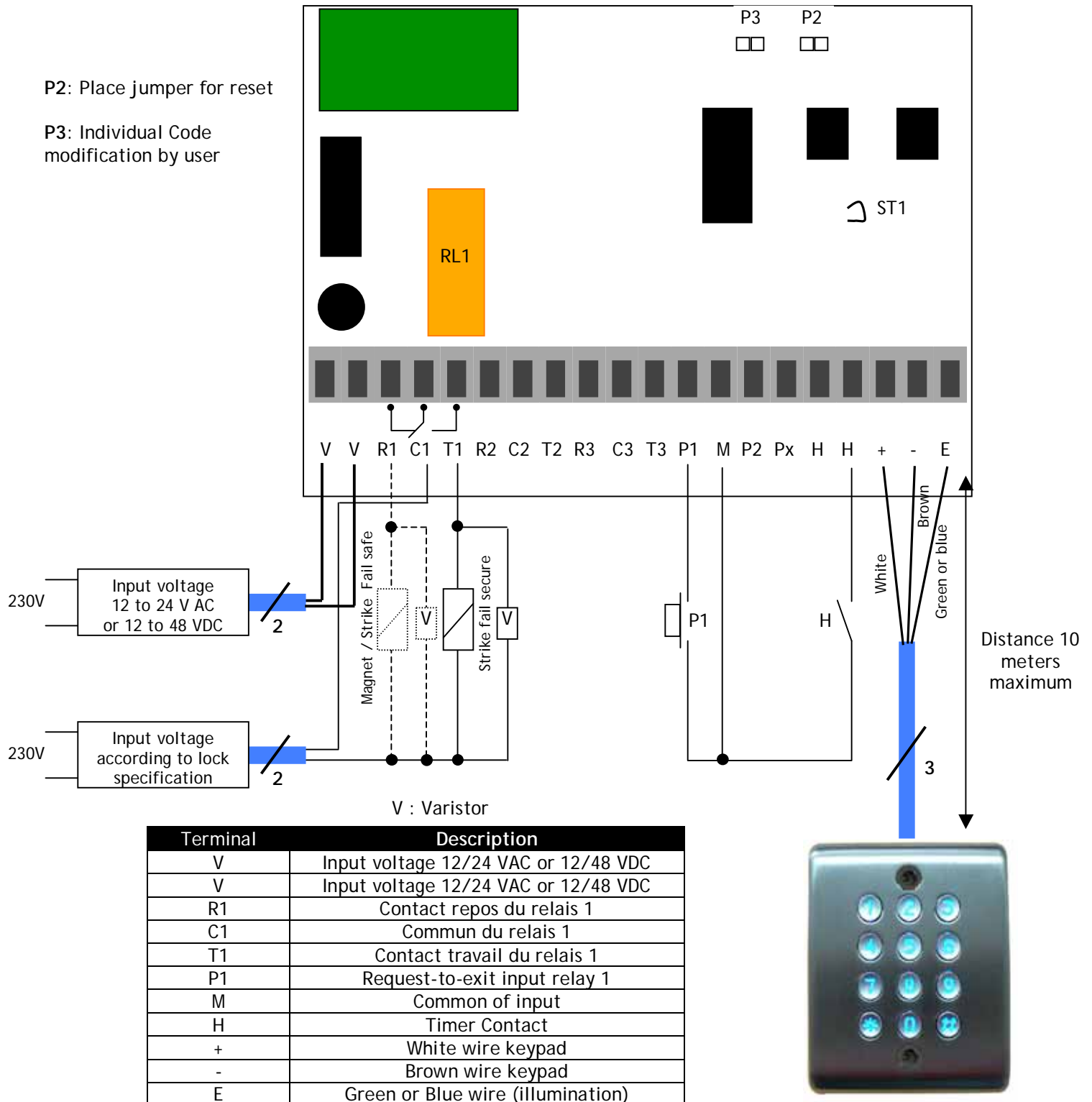
F. CONSUMPTION

<u>12VAC:</u>	20mA in stand by, 100mA max all 3 relays activated
<u>24V AC:</u>	10mA in stand by, 50mA max all 3 relays activated (Lock consumption not included)

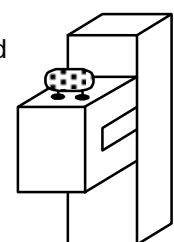
WIRING DIAGRAM KCIN 1 RELAY OUTPUT

P2: Place jumper for reset

P3: Individual Code modification by user



This device comes with a varistor.
 The varistor must be connected on the strike terminal (electromagnet...) operated by the device.
 If this product operates more than one strike, each lock should have a varistor.
 The varistor controls the overload produced by the strike coil - back emf.
 It is recommended to use a separate power supply when using a Shear Lock Magnet



II. PROGRAMMING

A. RESET MASTER CODE AND DELETE ALL USER CODES

1. Enter the master code twice (12345 default value master code). 2 beeps are emitted to confirm entry in programming mode.
2. Enter *6 to reset the Master Code and the User codes. One beep is emitted. Press simultaneously on * and # digit keys to reset all memory on the keypad. Wait for two beeps. The master code is restored to its default value 12345 and all the User codes are deleted from the keypad. Once the reset is completed then the keypad returns to a stand-by operating mode.

*6

OR

1. Cut the power. Put the jumper on P2.
2. Put the power back. Wait approximately 3 seconds. Two beeps are emitted to confirm reset of the keypad. Remove P2 jumper. The master code is restored to its default value 12345 and all the User codes are deleted from the keypad.

P2

B. SETTING CODE LENGTH

1. Enter the master code twice (12345 default value master code). 2 beeps are emitted to confirm entry in programming mode.
2. Enter *4 to program the code length. One beep is emitted. Enter 4 or 5 for the digit code. One beep is emitted to confirm programming of the code length.
3. Enter *5 to modify the master code. One beep is emitted. Enter the new 4 or 5-digit master code. One beep is emitted to confirm programming of the new master code.

*4

Press # to exit from programming mode. 2 beeps are emitted to confirm that the keypad is in stand-by operating mode.

[Master code or user code: 12369
When changing to 4-digit code: Enter 2369

C. CHANGING THE MASTER CODE

The master code is used only to enter in programming mode

1. Enter the master code twice (12345 default value master code). 2 beeps are emitted to confirm entry in programming mode.
2. Enter *5 to modify the master code. One beep is emitted. Enter the new 4 or 5-digit master. One beep is emitted to confirm that the master code is programmed.
3. Press # to exit from the programming mode. 2 beeps are emitted to confirm that the keypad is in stand-by operating mode.

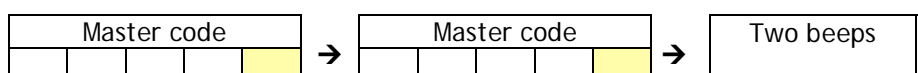
*5

D. ADDING USER CODES

Group 1: from user number 00 to user number 99, relay 1

1. Enter the master code twice (12345 default value master code). Two beeps are emitted to confirm entry in programming.

• To add user codes:



4. Press # to exit from programming mode. 2 beeps are emitted to confirm that the keypad is in stand-by operating mode.

4 beeps indicate a data computing error.

F. RESET MASTER CODE

On stand-by operating mode, put a jumper on P2. Wait 1 second and then remove the jumper. One beep is emitted. The master code is restored to its default value 12345 in 5-digit code and 1234 in 4-digit code.

G. CHANGING THE CODE BY THE USER

P3

To authorize a user to modify its own User code put a jumper on P3 (to disable the feature remove the jumper).

1. Enter the old user code. The relay is activated and a beep is emitted.
2. Enter the 2-digit sub master code (default sub master code A and B). A beep is emitted to authorize the modification.
3. Enter the new user code. 2 beeps are emitted to confirm the new code.
4. Check the new user code to be sure of the modification.

H. SETTING A SUB MASTER CODE

The Sub Master code allows the user to change its own code without entering in programming mode. For security reasons the code need to be changed periodically. This feature makes it easier and faster to change its code.

1. Enter the master code twice (12345 default value master code). 2 beeps are emitted to confirm entry in programming mode.
2. Press *7 to program a sub master code for the user individual Pin code modification. One beep is emitted. Enter the new 2-digit sub master code. One beep is emitted to confirm programming of the sub master code.
3. Press # to exit from the programming mode. 2 beeps are emitted to confirm that the keypad is in stand-by operating mode.

***7**

I. AUDIBLE SIGNAL

The audible signal is enabled in programming mode and when the relay is energised after a valid code.

To enable the audible feedback on a key press:

1. Enter the master code twice (12345 default value master code). 2 beeps are emitted to confirm entry in programming mode.
2. Press * twice. One beep is emitted. Press 0 to disable the audible signal during a keypress. Press 1 to enable the audible signal during a keypress. One beep confirms the new setting.
3. Press # to exit from programming. 2 beeps are emitted to confirm exit from programming mode.

III. MOUNTING INSTRUCTIONS

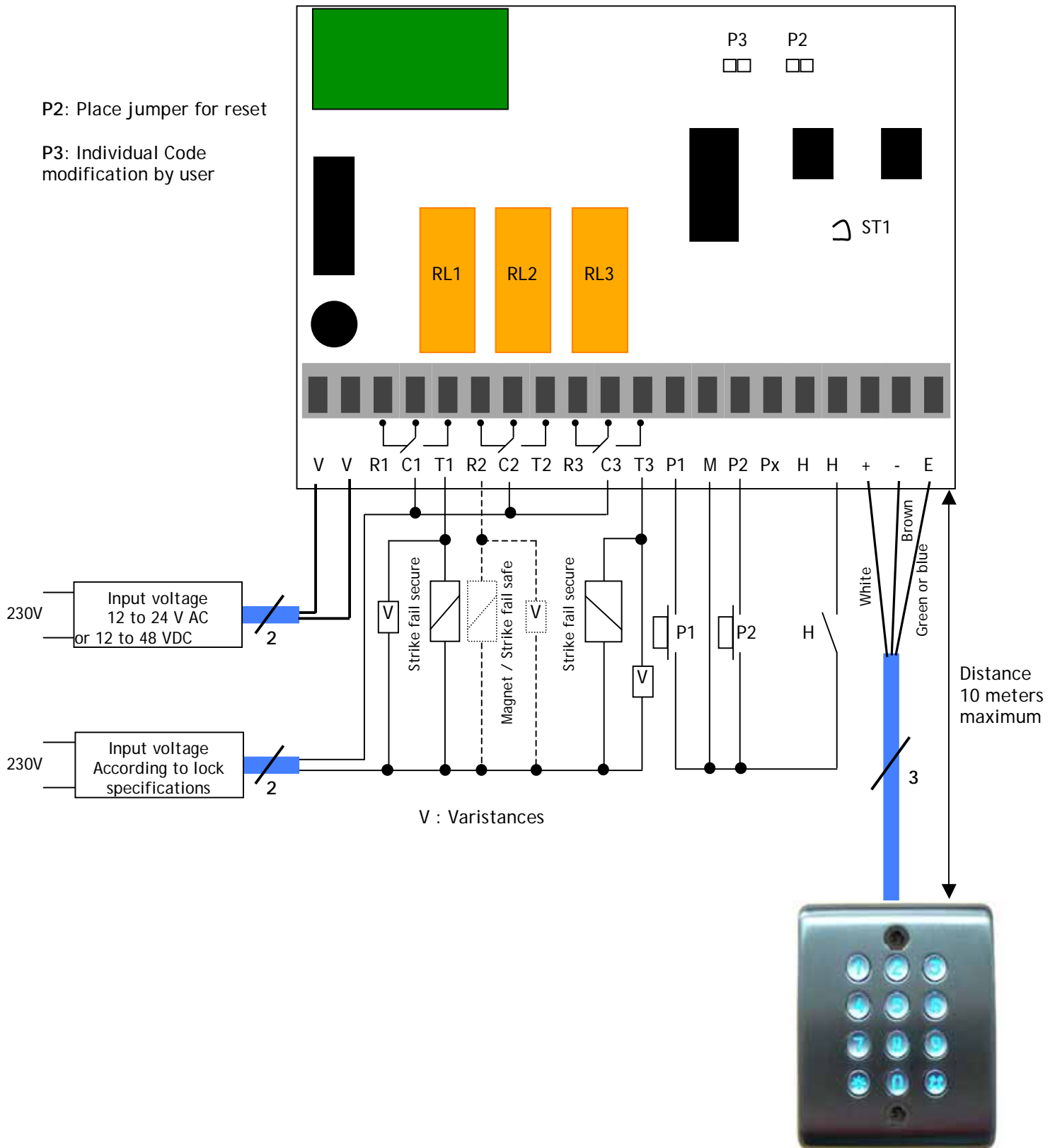
- ① Drill (bit Ø6MM) the 2 mounting holes (depth minimum = 20MM) and the wiring access area.
- ② Insert the 2 LM5 brass anchors in the wall.
- ③ Insert the cable the wiring access area.
- ④ Mount the keypad with the 2 M5x35 DIA^X® screws and use the Diax spanner to tighten the screws.



- Ⓡ To mount the remote electronics box, it is suggested to use the plastic bracket.

Terminal	Description
V	Input voltage 12/24 VAC or 12/48 VDC
V	Input voltage 12/24 VAC or 12/48 VDC

WIRING DIAGRAM KCIN 2 and 3 relay outputs



OPTIONAL KCIN 2 AND 3 RELAY OUTPUTS

Programming instructions are the same as for the KCIN keypad with 1 relay output.

KCIN 2: 2 relay outputs N/O and N/C contacts 8A @ 250V~

Group 1: from user location 00 to user location 59 to activate relay 1

Group 2: from user location 60 to user location 99 to activate relay 2

***2**

Release Time of relay 2 enter *2 ***8** sub master code enter *8 (default values 1 and 3).

KCIN 3: 3 relay outputs N/O and N/C contacts 8A @ 250V~

Group 1: from user location 00 to user location 59 to activate relay 1

Group 2: from user location 60 to user location 79 to activate relay 2

Group 3: from user location 80 to user location 99 to activate relay 3

***3**

Release time for relay 3 enter *3 ***9** sub master code enter *9 (default values 4 and 6)