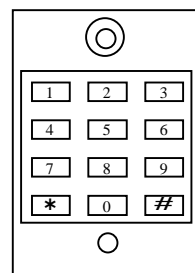




KCM/BP for UGM

STAINLESS STEEL KEYPAD WITH EXTERNAL PUSH BUTTON

WIRING



Connection between the keypad
and the reader controller
maximum 5 meter

1. Connection on the reader controller :

Colour	Connector on the reader
Brown	n° 1 on the 3 points connector
White	n° 2 on the 3 points connector
Grey	M on the 16 points connector
Green	p2 on the 16 points connector

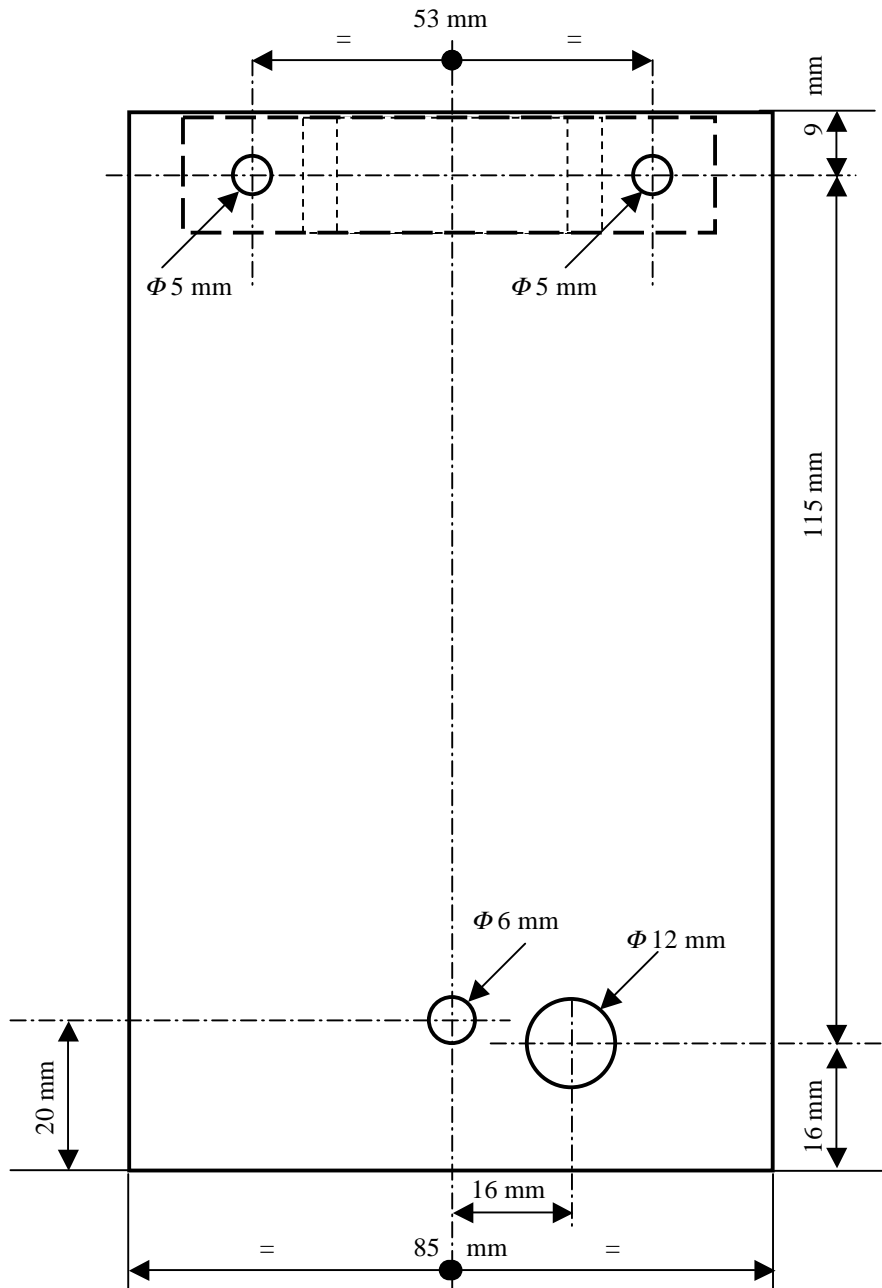
If connected as described above, the external push button can be activated only at the authorised time zones.

To keep permanently enabled the external push button connect the green wire on p1 and the grey wire on M.

The external push button can be used as a calling button, the grey and the green wire are independent.



Template



- 5 mm** hole diameter
- 6 mm** hole diameter
- 12 mm** hole diameter

- To mount the hook support,
- Hole for the brass anchor,
- wiring access hole.

