

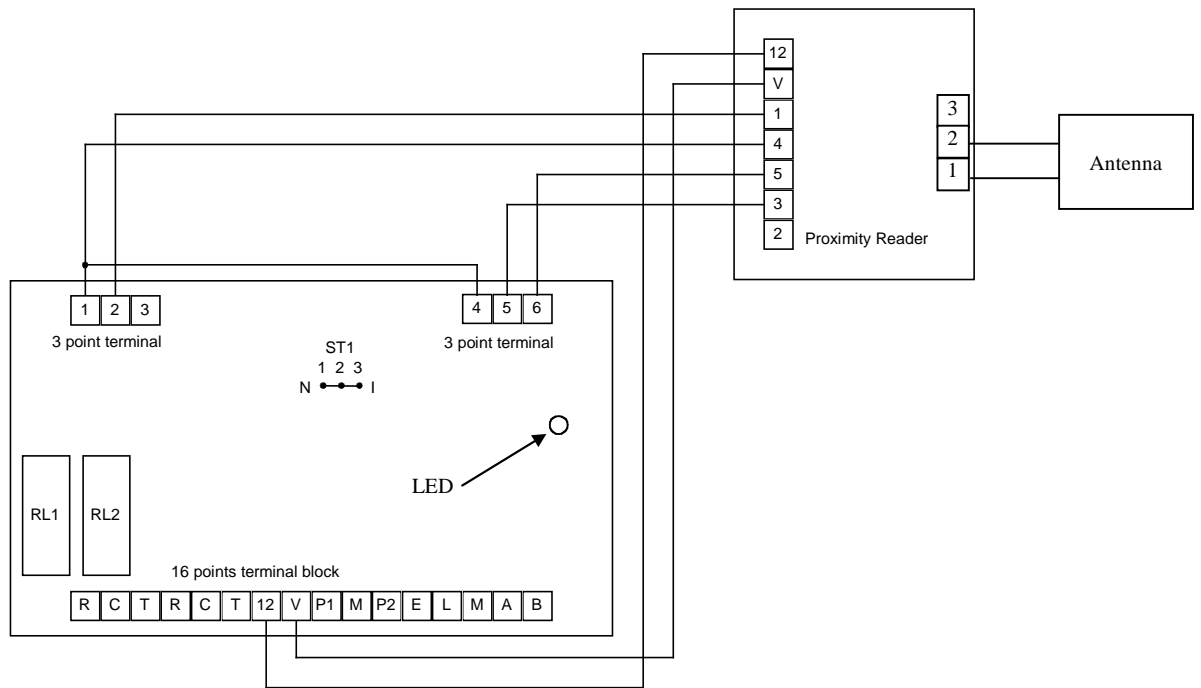


# LPMID/INT

## PROXIMITY READER for INTERCOM PANELS

Distance between the reader controller and the antenna (50  
meters maximum)

### WIRING DIAGRAM



1. Wiring between the reader controller and the board:

Antenna	Reader's terminal
4	n° 1 on the 3 points terminal
1	n° 2 on the 3 points terminal
Not used	n° 3 on the 3 points terminal
1	n° 4 on the 3 points terminal
3	n° 5 on the 3 points terminal
5	n° 6 on the 3 points terminal
12V	12V

#### Warning

Do not use a switching power supply because of the interference radiation that may disturb the reading of the badges

#### NOTE :

In case of using two proximity readers in/out on the same door, it is recommended to keep a minimum distance of 20 cm between them in any direction. In case the separation is inferior to 20 cm, the two readers must be moved from each other vertically or horizontally.

Recommended cable: 1 twisted pair cable 9/10 MM

WIRING DIAGRAM