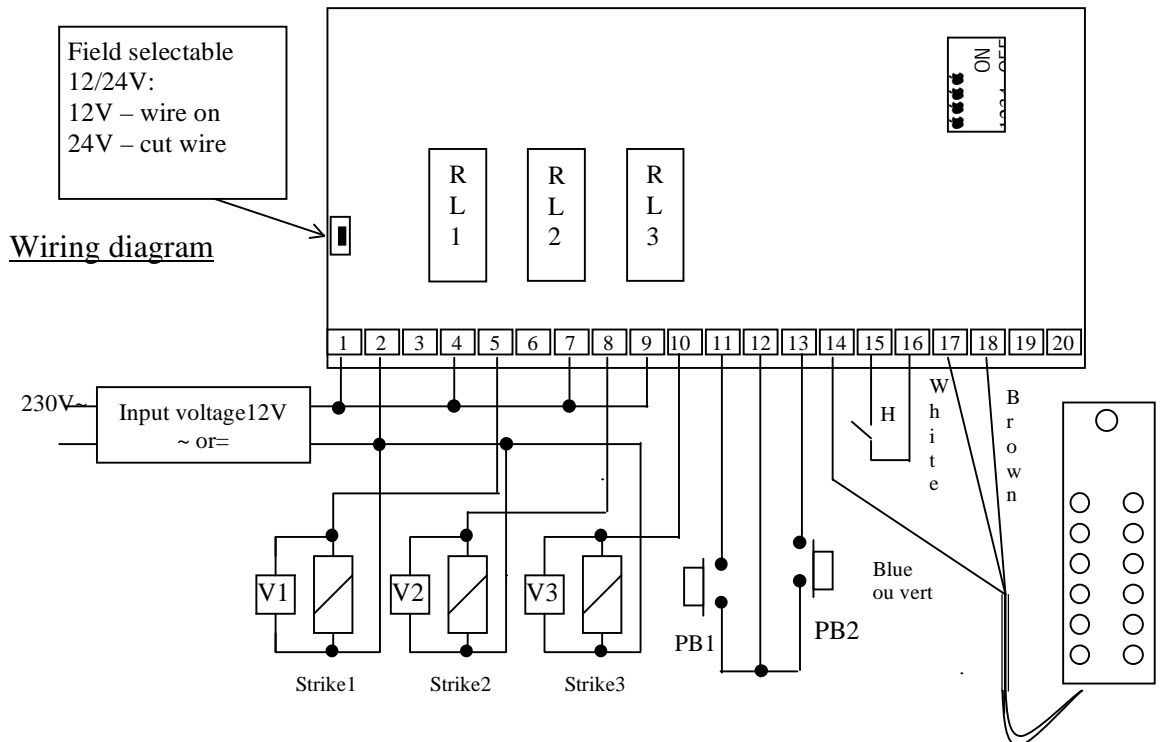




PROFIL100

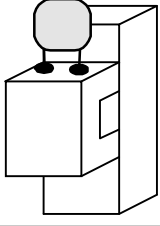
MULLION KEYPAD REMOTE CONTROLLER 100 USER CODES

Wiring Diagram and Instruction



1	Input voltage 12 VAC/DC	11	Request-to-exit input PB 1
2	Input voltage 12 VAC/DC	12	Common of PB1 and PB2
3	[R] N/C contact RL 1	13	Request to exit PB2
4	[C] Common RL 1	14	External push button PB (Blue or green)
5	[T] N/O contact RL 1	15,16	Timer clock contacts: Open – External PB disabled Closed – External PB activates RL 1
6	[R] N/C contact RL 2	17	Cable (white) keypad
7	[C] Common RL 2	18	Cable (brown) keypad
8	[T] N/O contact RL 2		
9	[C] Common RL3		
10	[T] N/O contact RL3		

This device comes with a varistor.
The varistor must be connected to the strike terminal (electromagnet...) operated by the device.
If this product works with many strikes, each of them should have a varistor.
The varistor controls the overload produced by the strike coil – back emf.



If you are using a « Shear Lock » electromagnetic lock, it is recommended to use a separate power supply than the one connected to the PROFIL100!

Technical specifications

Input voltage	12 V or 24 V ~ or = (Do not use the latched output in 24V!)
Outputs	3 relay outputs 2 N/O & N/C contacts 8amp/250V 1 N/O contact
Operating temperature	-20°C to +50°C
User code	100 programmable codes
User modification code	2-digit user modification code
Master code	1 programmable master code
Code length	4 or 5-digit user code and master code
Push buttons	2 request to exit input and 1 external push button
Keypad	12-digit keypad with built-in buzzer (audible signal) and 1 external push button
Push button	2 Request-to-exit inputs and key «Call push button» as an external push button (control by the contact timer)
Distance between keypad and remote controller	maximum 10 meter

Default values

Master code:	1234 in 4-digit code or 12345 in 5-digit code
Time output:	1 second
Key-in Keypad:	10 seconds
Programming delay:	120 seconds (2 minutes)
Code of modification:	A and B for relay 1 13 for relay 2 46 for relay 3

Code length

The master code and user codes can be of 4 or 5 digit code (dipswitch n° 3).

All the digit keys can be used to program a user code (0 to 9, * and #).

The master code cannot be used as a user code.

The 4-digit code 0000 and the 5-digit code 00000 are used to delete an existing user code and then cannot be used as user codes.

Push buttons

The request to exit input PB1 activates relay 1 RL1

The request to exit input PB2 activates relay 1 RL2

The contact of the timer allows using the external push button at scheduled hours:

Timer clock contact open - External push button non available,

Timer clock contact closed - External push button activates relay 1 RL1

Dipswitches

DIP-SWITCH	ON	OFF
1	Programming by the user disabled	Programming enabled
2	Programming by keypad disabled	Programming enabled
3	4-digit user code	5-digit user code
4	Programming of master code enabled	Programming disabled

Setting a new master code

1. Select the user code length with dipswitch n° 3 (ON for a 4-digit code or OFF for a 5-digit code).
2. Put dipswitch No. 4 ON.
3. Enter the 4 or 5-digit master code (according to dip-switch n° 3 position) for a new master code. An audible sound confirms that the new master code is accepted.
4. Put back dipswitch n° 4 in position OFF to exit from programming mode and go back to a standby mode.

User number group

GROUP	USER NUMBER	RELAY	TIME OUTPUT CODE
1 (60 user codes)	from 00 to 59	RL1	A1
2 (20 user codes)	from 60 to 79	RL2	A2
3 (20 user codes)	from 80 to 99	RL3	A3

Setting User Codes and Time Delays

1. Put dipswitch No. 2 OFF to enter into programming mode.
2. Enter the master code twice (for the first use the master code default value is 1234 or 12345). 2 audible beeps confirm entry in programming mode.
3. Enter the user number (from 00 to 99), then the 4 or 5 –digit user code (see board on the next page). An audible sound beep indicates that the code has been accepted.
4. Enter A1 (door release time for RL1) then the time in seconds – 01 for 1 second up to 99 for 99 seconds. For a latched output time enter 00.
5. Enter A2 (door release time for RL2) then the time in seconds – 01 for 1 second up to 99 for 99 seconds. For a latched output time enter 00.
6. Enter A3 (door release time for RL3) then the time in seconds – 01 for 1 second up to 99 for 99 seconds. For a latched output time enter 00.

Do not use the latched output in 24V!

An audible beep sound to confirm that the time delay has been accepted.

7. Enter A0 (key-in keypad delay) then the time delay in seconds – 10 for 10 seconds up to 99 for 99 seconds.
8. Enter A9 (user modification code for relay 1), then the 2-digit code. An audible beep sound to confirm that the new user modification code has been accepted.
9. Enter A8 (user modification code for relay 2), then the 2-digit code. An audible beep sound to confirm that the new user modification code has been accepted.
10. Enter A7 (user modification code for relay 3), then the 2-digit code. An audible beep sound to confirm that the new user modification code has been accepted.
11. To exit from programming, press #. 2 beeps sound to confirm that you left the programming mode.
12. Put dipswitch n° 2 back to position ON (to disable the programming mode).

4 beeps indicate a data computing error.

Time delay relay 3		
A3		

User modification code		
A7		

Press # to exit from the programming mode. Two beeps will sound to confirm that the keypad is in standby mode. Put dipswitch n° 2 back to ON.

Operator:		Date:
Building:		
N°:	Street:	
City:		
Other information:		

Changing a PIN code by the user

Put dipswitch No. 1 ON to disable the modification of a code by the user or put dipswitch OFF to enable the modification of a code by the user.

1. Enter the user code. The relay is activated.
2. Enter immediately the 2-digit user modification code (for the first use the user modification code default is A and B for relay 1 group 1 from 00 to 59). To modify a user code in group 2 from 60 to 79 enter user modification code 13 or to modify a user code in group 3 from 80 to 99 enter user modification code 46.
- 3.
4. Enter the new user code twice. Two audible beeps indicate that the new user code is accepted.
5. Enter the new user code to test it. The relay is activated.

If the new user code is not entered correctly, four beeps sound to confirm that the modification is not done.



6

Template PROFIL100

